

## Folding Handles

Steel / Stainless Steel

### SPECIFICATION

#### Type

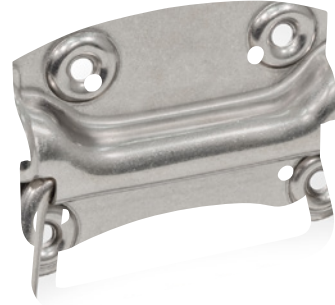
- Type **A**: With countersunk holes

#### Steel

- Zinc plated, blue passivated **ST**
- Powder coated  
Black, RAL 9005, textured finish **STSW**

#### Stainless steel AISI 304 NI

Plain finish



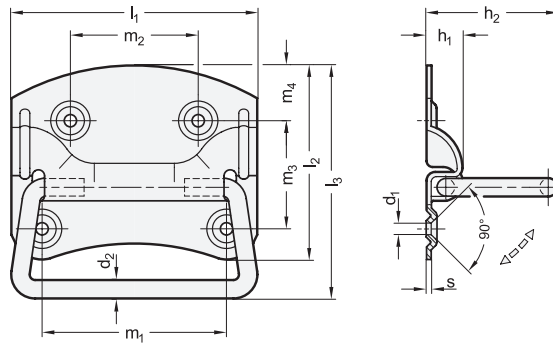
### INFORMATION

Folding handles GN 3136 are used for pulling out drawers or lifting boxes and containers. When in use, the swivel handle strikes the sheet metal housing at around 90° and then returns to its rest position by gravity.

Due to the simple design, the stamped and bent parts can have larger tolerances. Appropriate compensation measures should therefore be considered in the design.

### TECHNICAL INFORMATION

- Stainless Steel Characteristics (see page A26)



\* Complete with  
ST

STSW

### GN 3136-ST

Description	l <sub>1</sub>	l <sub>2</sub>	d <sub>1</sub>	d <sub>1</sub> For countersunk screws	d <sub>2</sub>	h <sub>1</sub>	h <sub>2</sub> ≈	l <sub>3</sub>	m <sub>1</sub>	m <sub>2</sub>	m <sub>3</sub>	m <sub>4</sub>	s	⚖
GN 3136-85-70-A-*	85	70	5.5	M 4	6.5	12	44	75	65	45	45	10	1.25	101
GN 3136-100-80-A-*	100	80	5.5	M 4 / M 5	7.5	14	52	95	75	52	44	22.5	1.5	161
GN 3136-120-95-A-*	120	95	5.5	M 5	7.5	15	54	103.5	96	70	55	20	1.5	200
GN 3136-135-110-A-*	135	110	6.4	M 6	10	15	65	123	105	75	73	22	1.75	371

Weight Material ST

### GN 3136-NI

STAINLESS STEEL

Description	l <sub>1</sub>	l <sub>2</sub>	d <sub>1</sub>	d <sub>1</sub> For countersunk screws	d <sub>2</sub>	h <sub>1</sub>	h <sub>2</sub> ≈	l <sub>3</sub>	m <sub>1</sub>	m <sub>2</sub>	m <sub>3</sub>	m <sub>4</sub>	s	⚖
GN 3136-100-80-A-NI	100	80	5.5	M 4 / M 5	7.5	14	52	95	75	52	44	22.5	1.5	160

